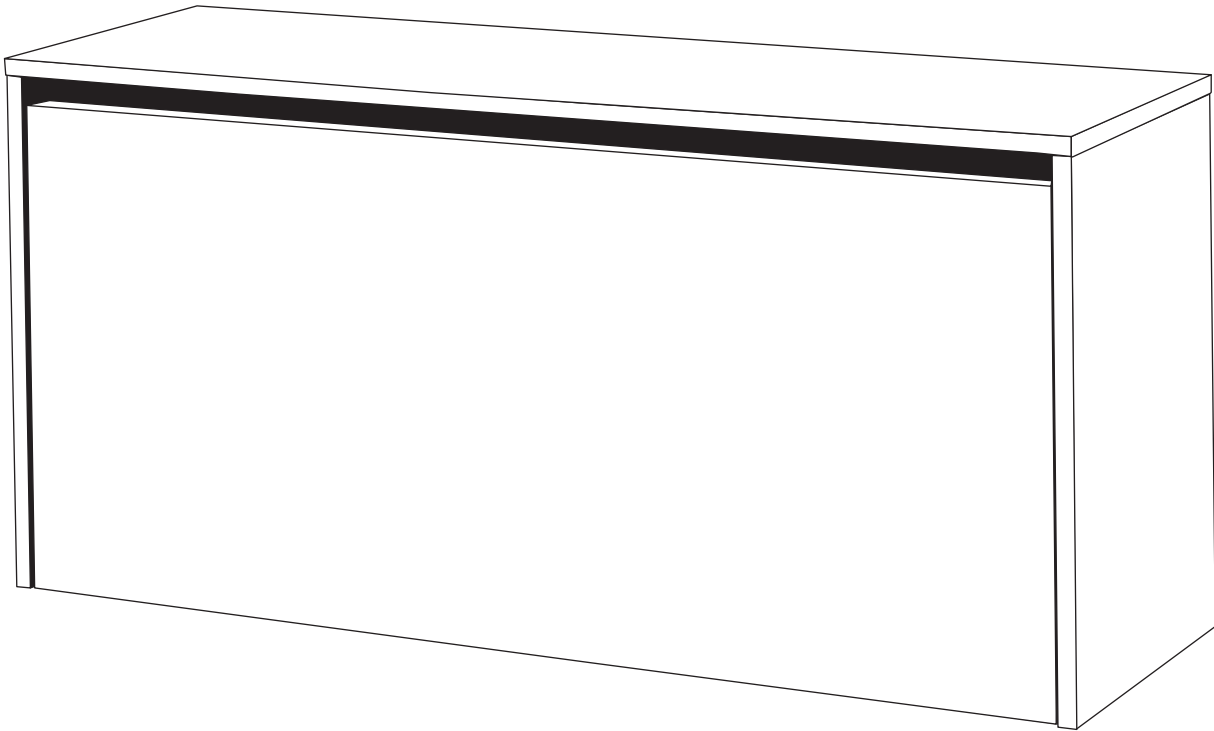


# maze



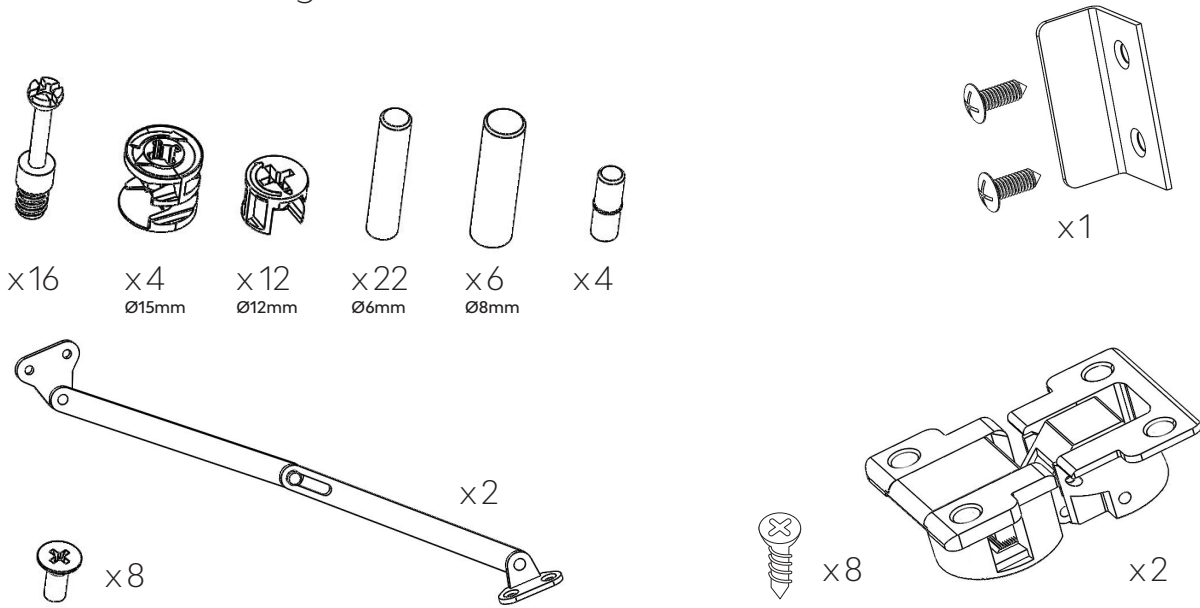
## Instructions:

# Pythagoras Cabinet

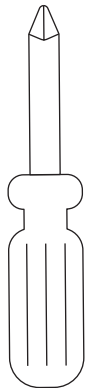
Questions?

[info@mazeinterior.se](mailto:info@mazeinterior.se) | +46 (0)8 - 654 0310 | [mazeinterior.se](http://mazeinterior.se)

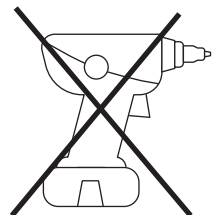
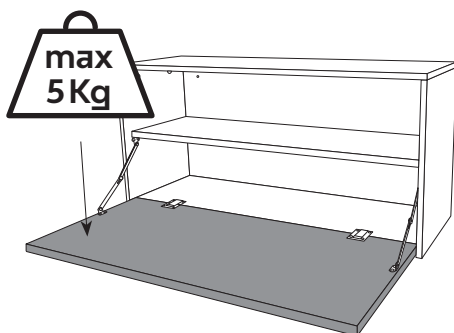
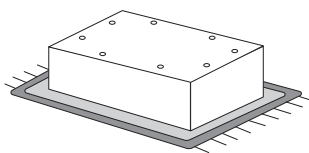
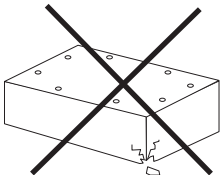
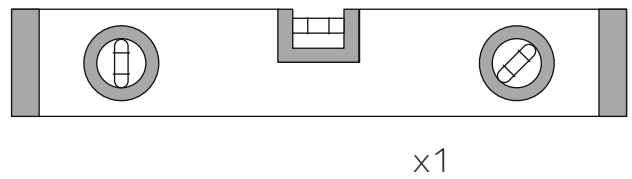
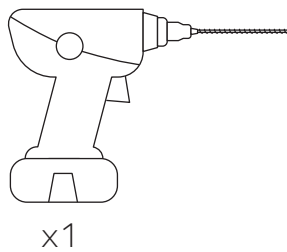
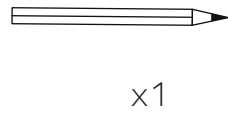
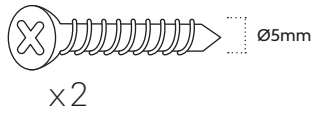
Included small things:

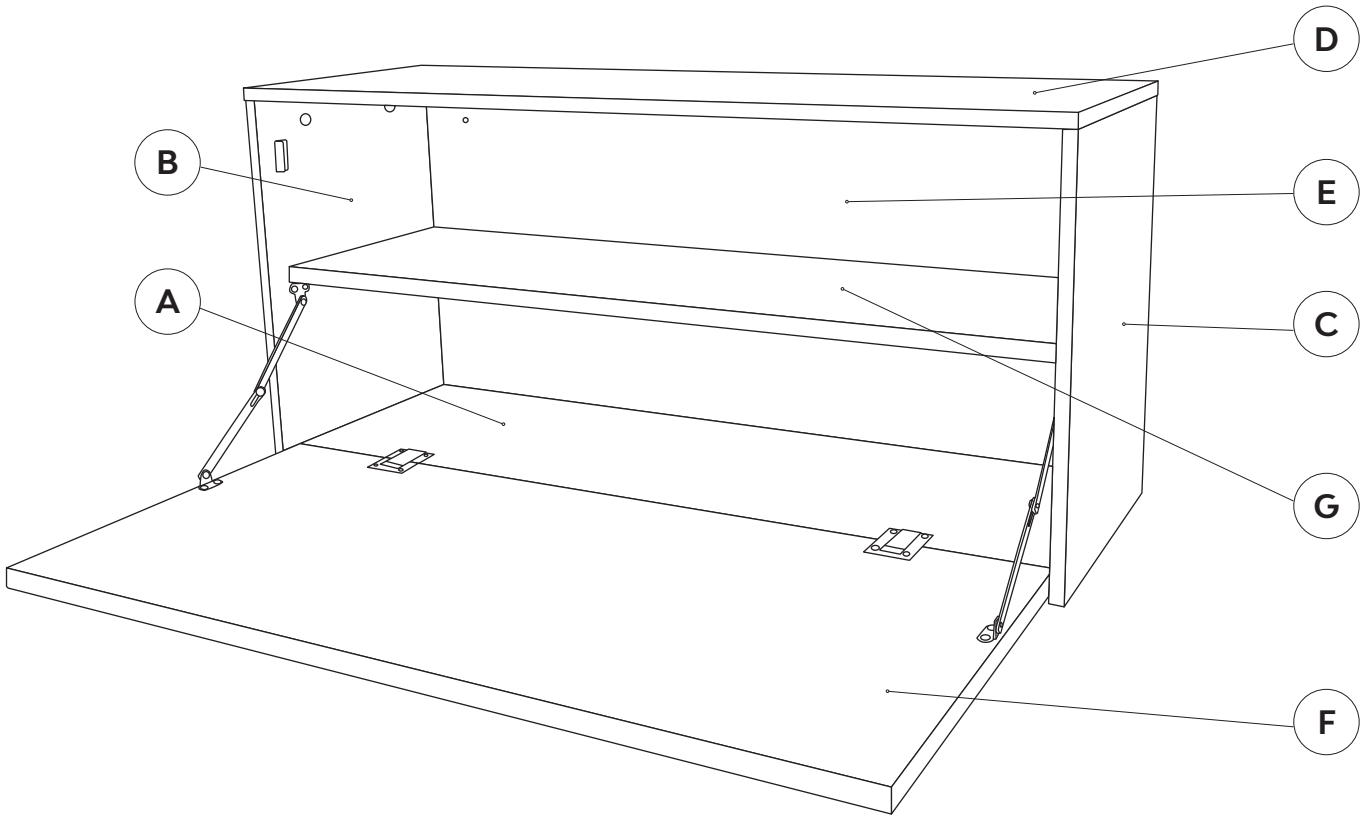


Needed for assembly:

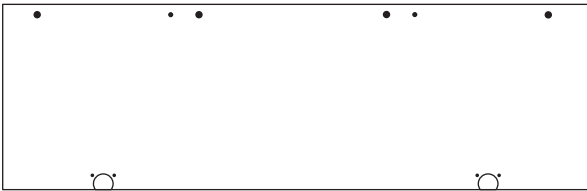


Needed for mounting to wall:

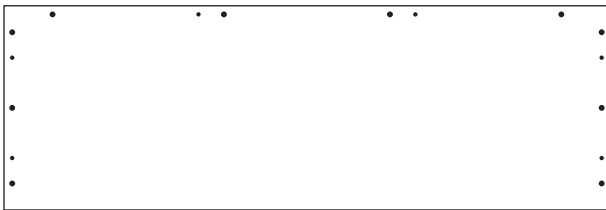




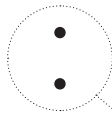
**A)**



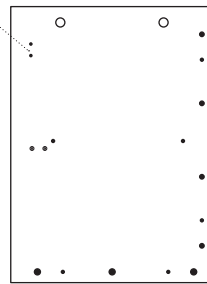
**D)**



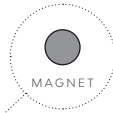
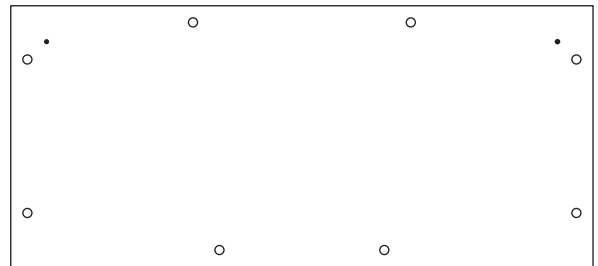
**F)**



**B)**



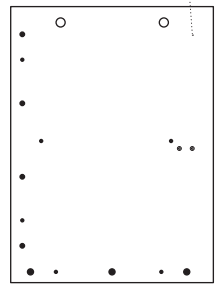
**E)**



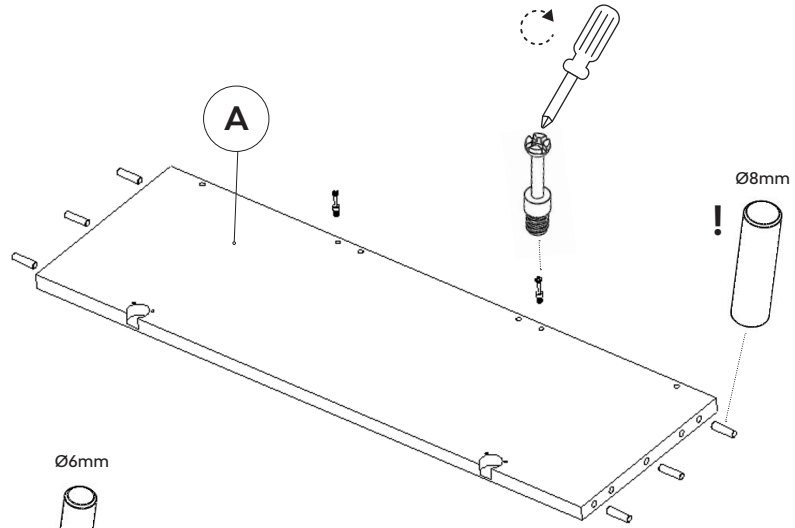
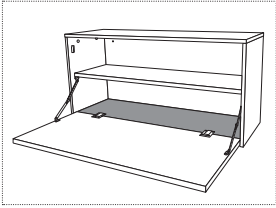
**G)**



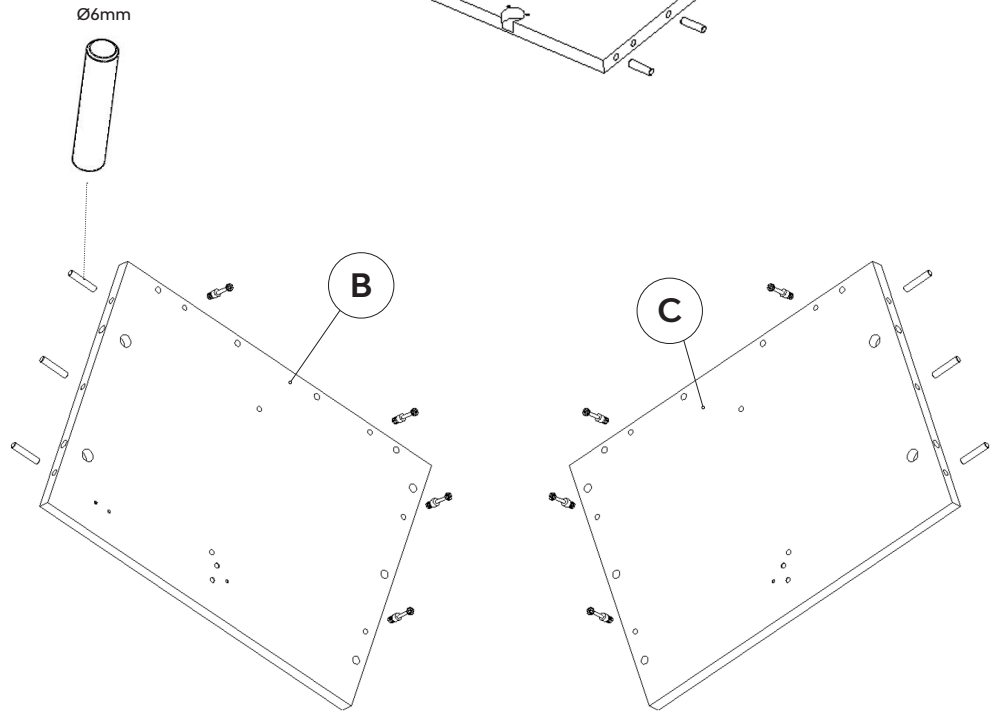
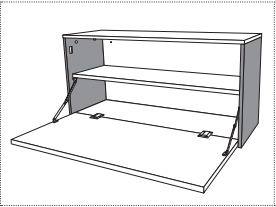
**C)**



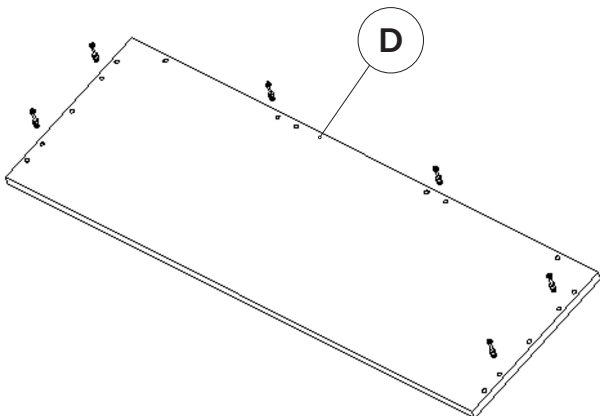
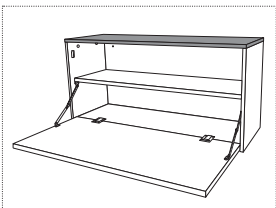
1.



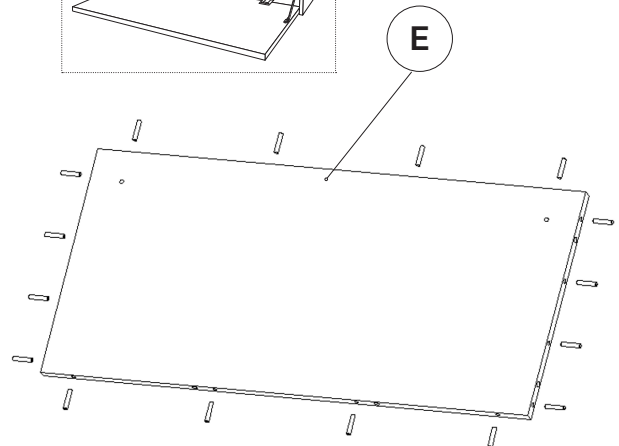
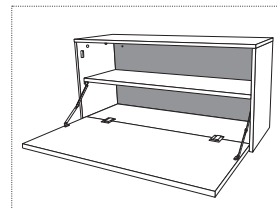
2.



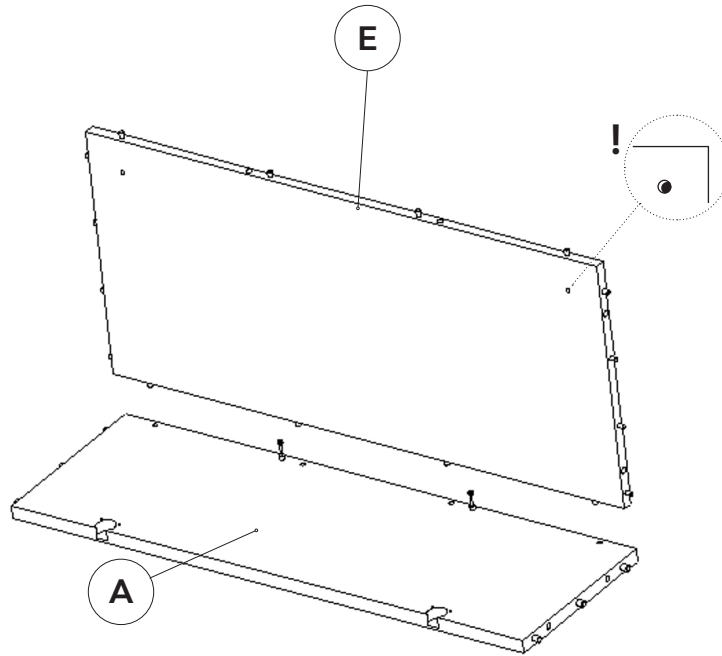
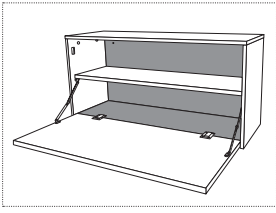
3.



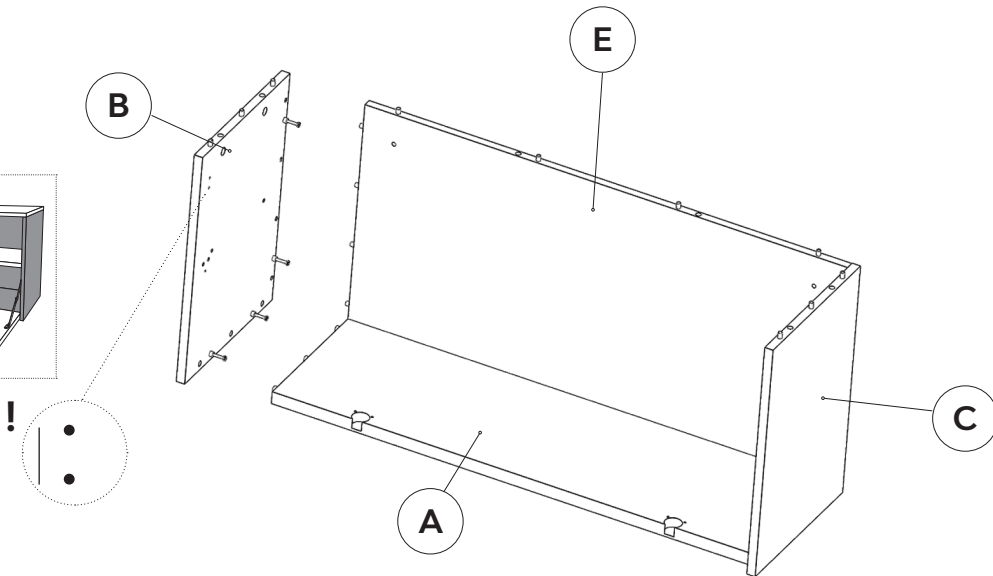
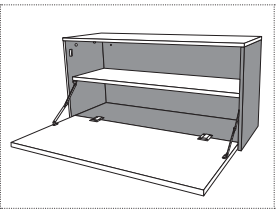
4.



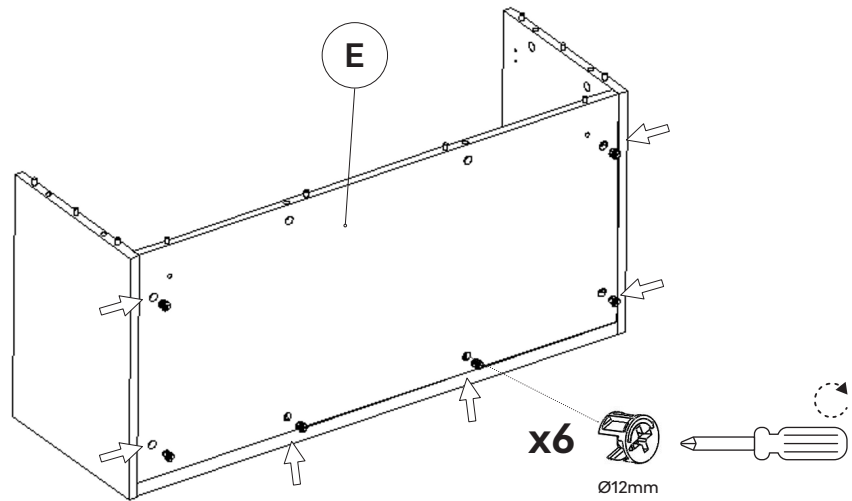
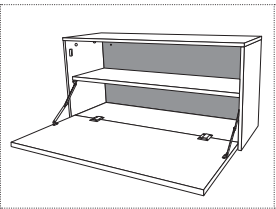
5.



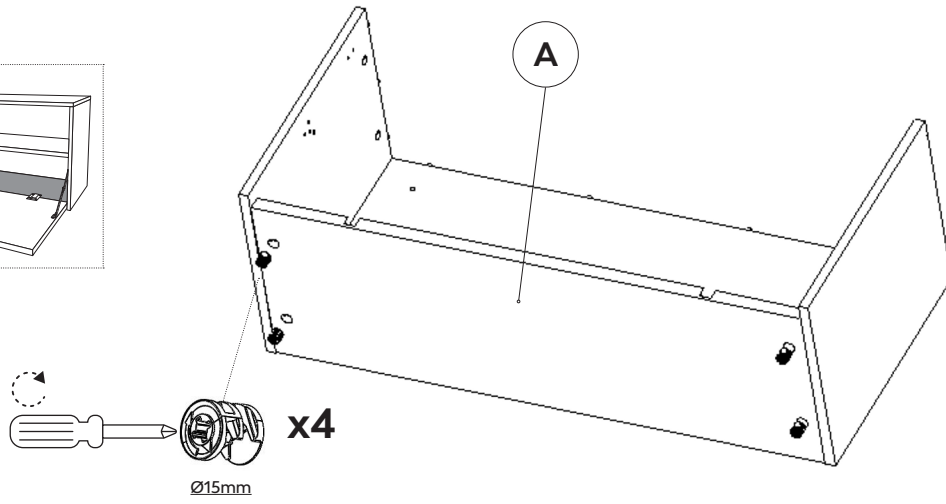
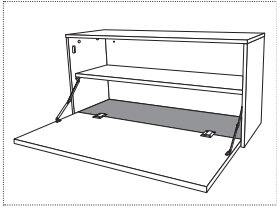
6.



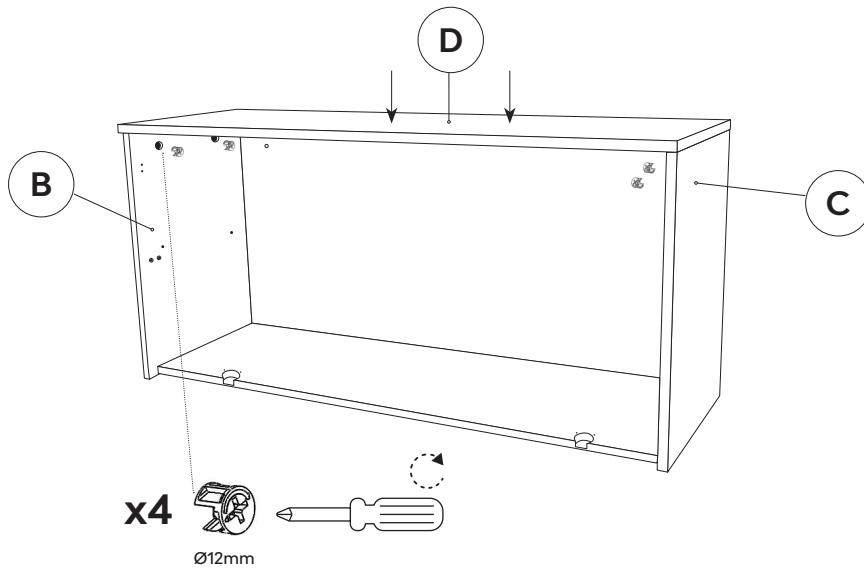
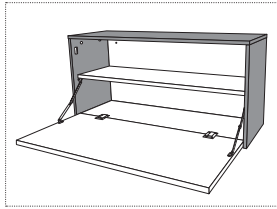
7.



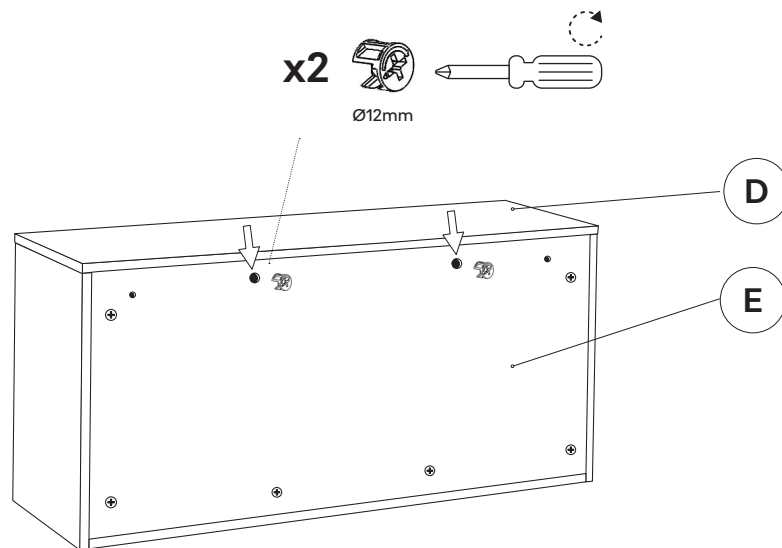
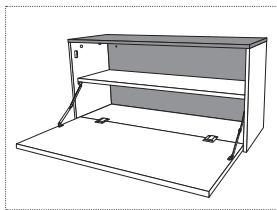
# 8.



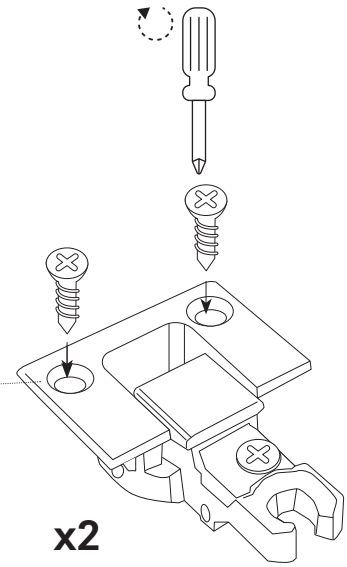
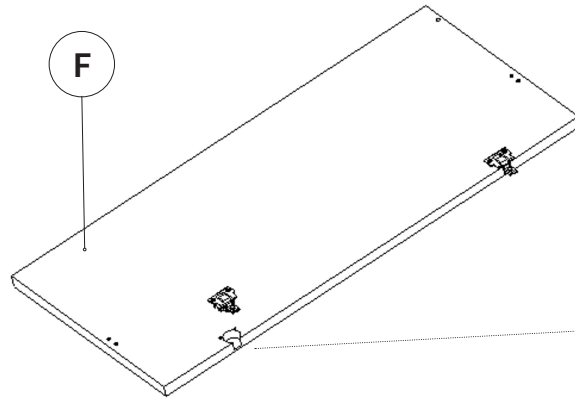
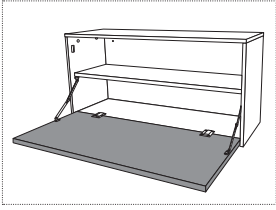
# 9.



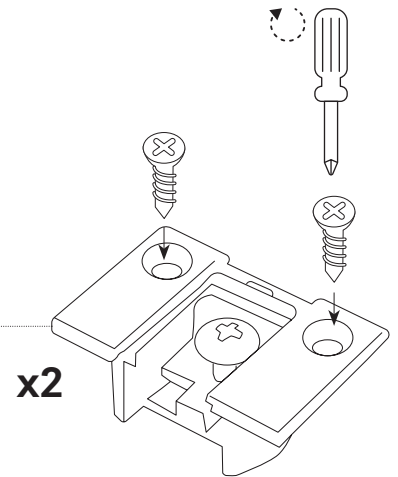
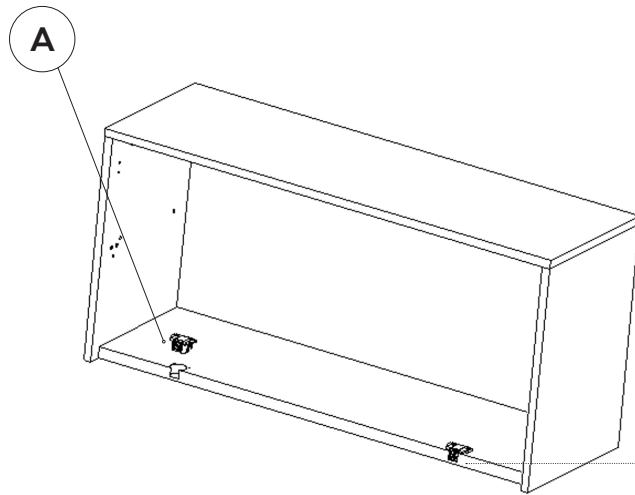
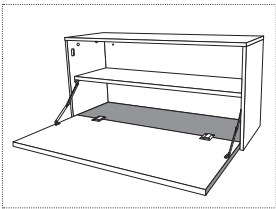
# 10.



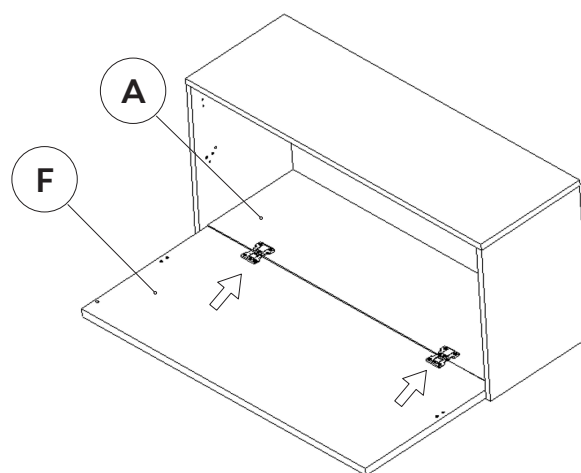
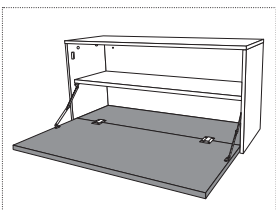
# 11.



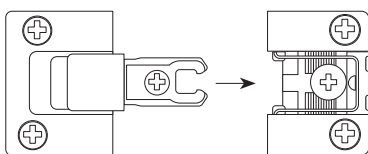
# 12.



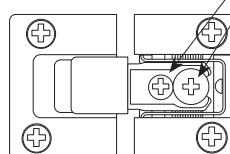
# 13.



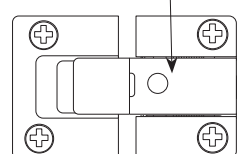
i)



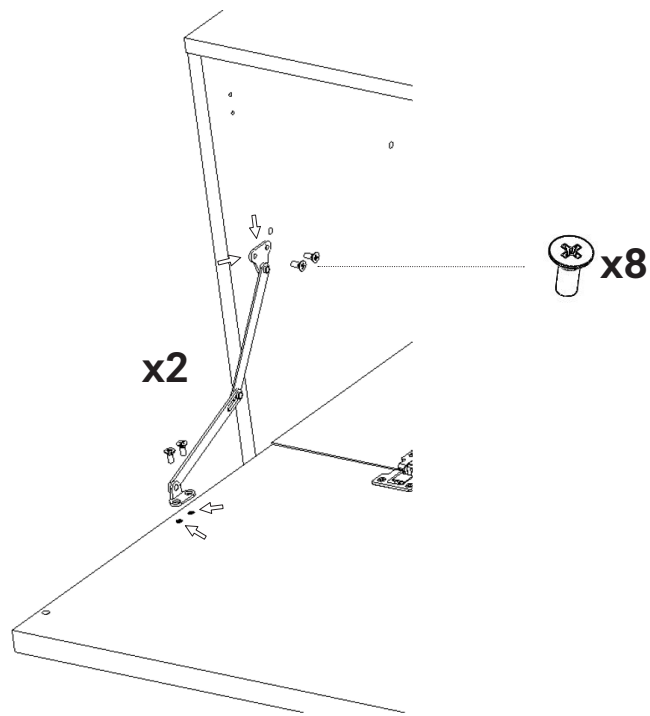
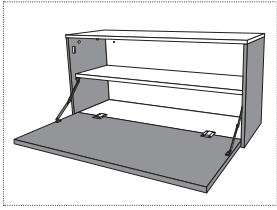
ii)



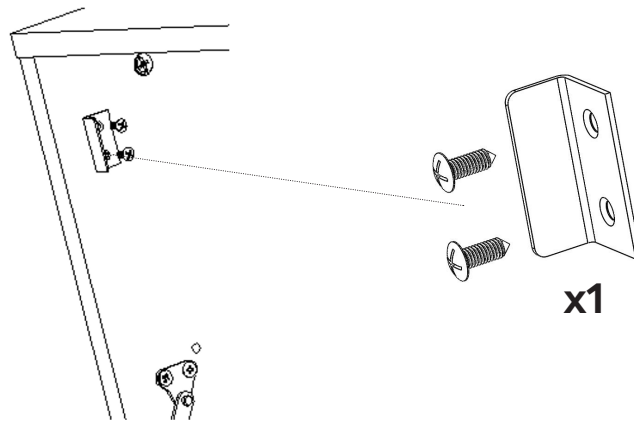
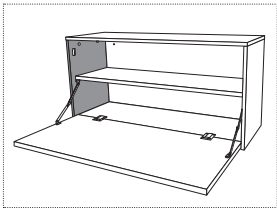
iii)



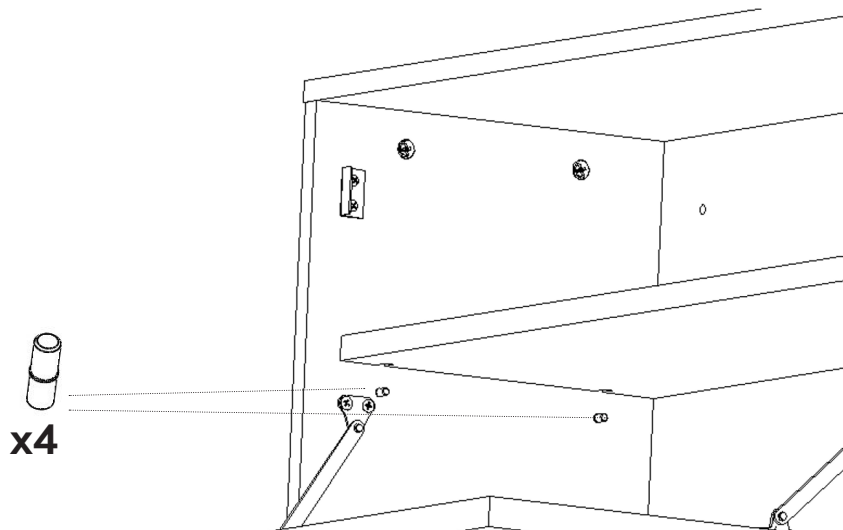
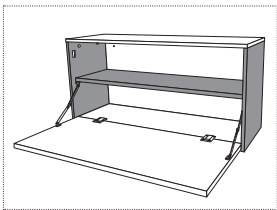
# 14.



# 15.

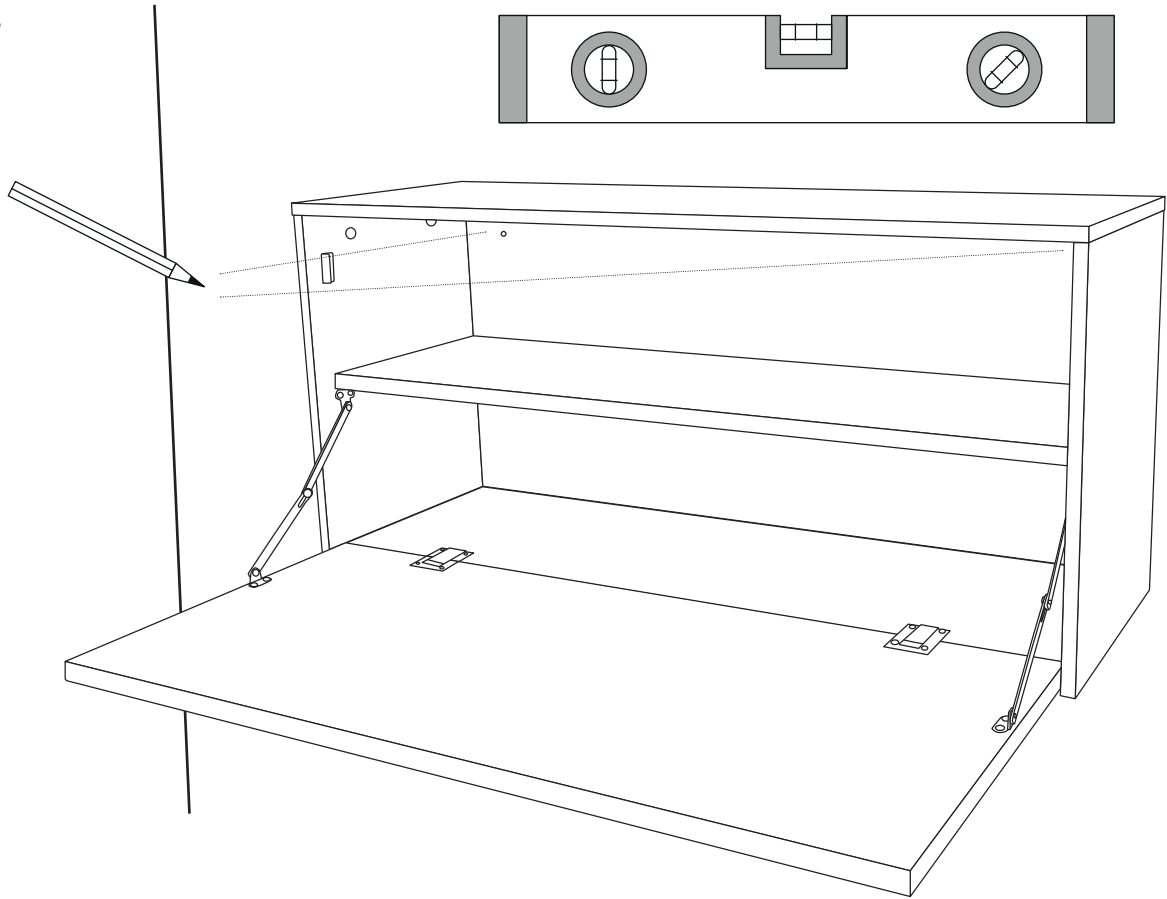


# 16.

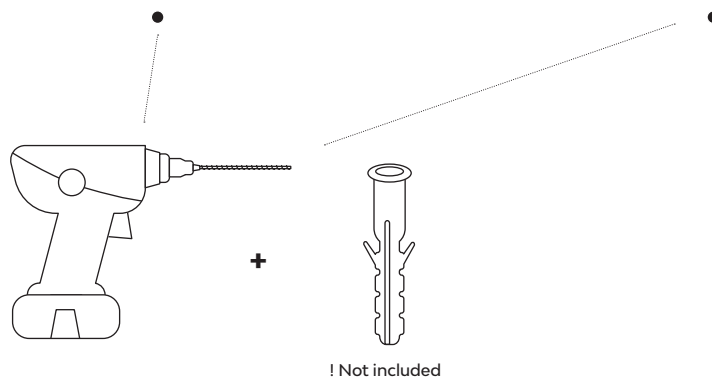




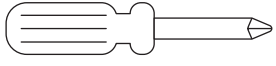
17.



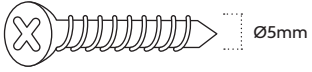
18.



# 19.



+



! Not included

